

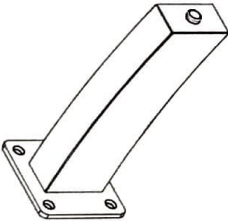


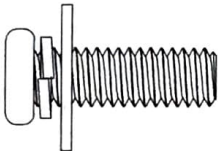

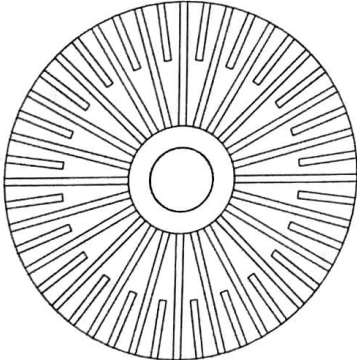
# PARTS LIST

PLEASE ALWAYS CHECK EVERY PART BEFORE ASSEMBLY

<b>A</b>	<b>1 PCE</b>	<b>B</b>	<b>2PCS</b>
<b>Chair Body</b>		<b>Front legs</b>	
			
<b>C</b>	<b>2PCS</b>		
<b>Back legs</b>			
			

# HARDWARE LIST

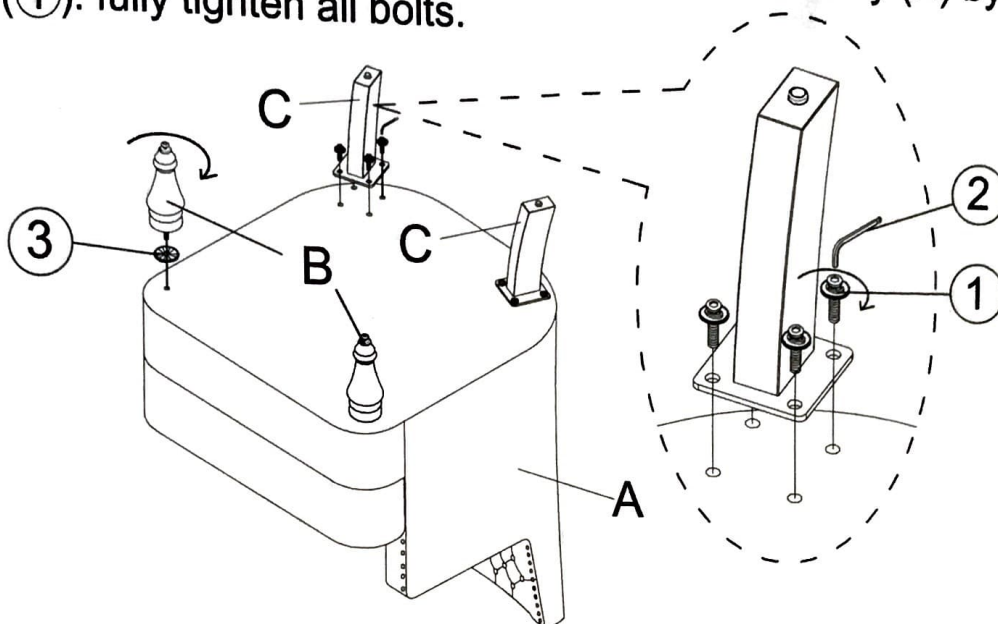
PLEASE ALWAYS CHECK EVERY PART BEFORE ASSEMBLY

①	8PCS	②	1 PCE
Bolts 5/16x1"		Allen Key	
			
③	2PCS		
Washers			
			

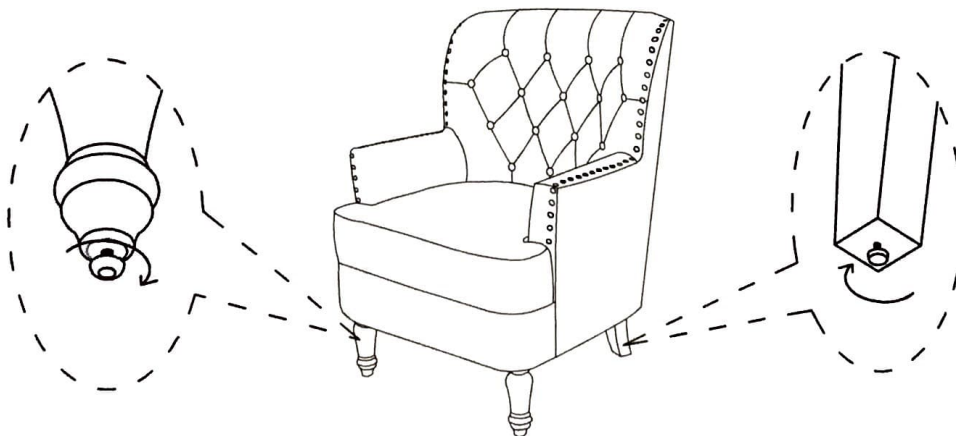
## Step1:

Attach the front legs(B) to the frame.

Assemble the back legs (C) to the bottom of chair body (A) by using bolts (①). fully tighten all bolts.



## Step2:



If the chair wobbles slightly after your assembly, adjust leveler at the bottom of each leg until the chair sits evenly.